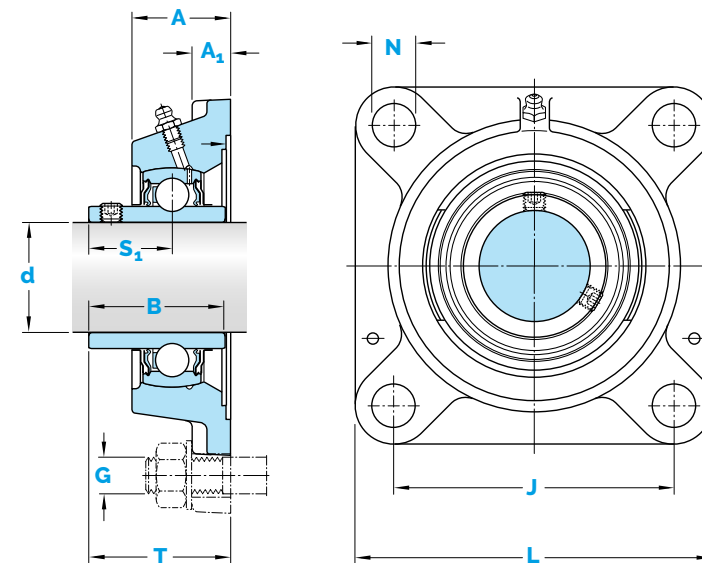


CAST IRON SQUARE FLANGED HOUSING UNITS FOR INCH SHAFTS (UCF3..)



Type	d (inch)	L (inch)	J (inch)	A ₁ (inch)	A (inch)	N (inch)	T (inch)	B (inch)	S ₁ (inch)	G	Dynamic C	Static Co	Bearing	Housing	m (kg)
UCF305-13	13/16	4 11/32	3 5/32	1/2	1 5/32	5/8	1 17/32	1.4961	0.5906	1/2	22360	11500	UC305-13	F305	1.2
UCF305-14	7/8	4 11/32	3 5/32	1/2	1 5/32	5/8	1 17/32	1.4961	0.5906	1/2	22360	11500	UC305-14	F305	1.2
UCF305-15	15/16	4 11/32	3 5/32	1/2	1 5/32	5/8	1 17/32	1.4961	0.5906	1/2	22360	11500	UC305-15	F305	1.2
UCF305-16	1	4 11/32	3 5/32	1/2	1 5/32	5/8	1 17/32	1.4961	0.5906	1/2	22360	11500	UC305-16	F305	1.2
UCF306-17	1 1/16	4 29/32	3 47/64	19/32	1 1/4	5/8	1 23/32	1.6929	0.6693	1/2	27000	15200	UC306-17	F306	1.8
UCF306-18	1 1/8	4 29/32	3 47/64	19/32	1 1/4	5/8	1 23/32	1.6929	0.6693	1/2	27000	15200	UC306-18	F306	1.8
UCF306-19	1 3/16	4 29/32	3 47/64	19/32	1 1/4	5/8	1 23/32	1.6929	0.6693	1/2	27000	15200	UC306-19	F306	1.8
UCF307-20	1 1/4	5 5/16	3 15/16	5/8	1 13/32	3/4	1 15/16	1.8897	0.7480	5/8	33500	19200	UC307-20	F307	2.2
UCF307-21	1 5/16	5 5/16	3 15/16	5/8	1 13/32	3/4	1 15/16	1.8897	0.7480	5/8	33500	19200	UC307-21	F307	2.2
UCF307-22	1 3/8	5 5/16	3 15/16	5/8	1 13/32	3/4	1 15/16	1.8897	0.7480	5/8	33500	19200	UC307-22	F307	2.2
UCF307-23	1 7/16	5 5/16	3 15/16	5/8	1 13/32	3/4	1 15/16	1.8897	0.7480	5/8	33500	19200	UC307-23	F307	2.2
UCF308-24	1 1/2	5 29/32	4 13/32	21/32	1 9/16	3/4	2 7/32	2.0472	0.7480	5/8	40560	24000	UC308-24	F308	3.0
UCF308-25	1 9/16	5 29/32	4 13/32	21/32	1 9/16	3/4	2 7/32	2.0472	0.7480	5/8	40560	24000	UC308-25	F308	3.0
UCF309-26	1 5/8	6 5/16	4 59/64	23/32	1 23/32	3/4	2 3/8	2.2441	0.8661	5/8	53000	31800	UC309-26	F309	3.8
UCF309-27	1 11/16	6 5/16	4 59/64	23/32	1 23/32	3/4	2 3/8	2.2441	0.8661	5/8	53000	31800	UC309-27	F309	3.8
UCF309-28	1 3/4	6 5/16	4 59/64	23/32	1 23/32	3/4	2 3/8	2.2441	0.8661	5/8	53000	31800	UC309-28	F309	3.8
UCF310-29	1 13/16	6 7/8	5 13/64	3/4	1 7/8	29/32	1 5/8	2.4015	0.8661	3/4	61750	37800	UC310-29	F310	4.9
UCF310-30	1 7/8	6 7/8	5 13/64	3/4	1 7/8	29/32	1 5/8	2.4015	0.8661	3/4	61750	37800	UC310-30	F310	4.9
UCF310-31	1 15/16	6 7/8	5 13/64	3/4	1 7/8	29/32	1 5/8	2.4015	0.8661	3/4	61750	37800	UC310-31	F310	4.9
UCF311-32	2	7 9/32	5 33/64	25/32	2 1/16	29/32	2 25/32	2.5984	0.9842	3/4	71500	44800	UC311-32	F311	5.6
UCF311-33	2 1/16	7 9/32	5 33/64	25/32	2 1/16	29/32	2 25/32	2.5984	0.9842	3/4	71500	44800	UC311-33	F311	5.6
UCF311-34	2 1/8	7 9/32	5 33/64	25/32	2 1/16	29/32	2 25/32	2.5984	0.9842	3/4	71500	44800	UC311-34	F311	5.6

CAST IRON SQUARE FLANGED HOUSING UNITS FOR INCH SHAFTS (UCF3..)

Type	d (inch)	L (inch)	J (inch)	A ₁ (inch)	A (inch)	N (inch)	T (inch)	B (inch)	S ₁ (inch)	G	Dynamic C	Static Co	Bearing	Housing	m (kg)
UCF311-35	2 3/16	7 9/32	5 33/64	25/32	2 1/16	29/32	2 25/32	2.5984	0.9842	3/4	71500	44800	UC311-35	F311	5.6
UCF312-36	2 1/4	7 11/16	5 29/32	7/8	2 7/32	29/32	3 1/16	2.7953	1.0236	3/4	81600	51800	UC312-36	F312	6.8
UCF312-37	2 5/16	7 11/16	5 29/32	7/8	2 7/32	29/32	3 1/16	2.7953	1.0236	3/4	81600	51800	UC312-37	F312	6.8
UCF312-38	2 3/8	7 11/16	5 29/32	7/8	2 7/32	29/32	3 1/16	2.7953	1.0236	3/4	81600	51800	UC312-38	F312	6.8
UCF312-39	2 7/16	7 11/16	5 29/32	7/8	2 7/32	29/32	3 1/16	2.7953	1.0236	3/4	81600	51800	UC312-39	F312	6.8
UCF313-40	2 1/2	8 3/16	6 17/32	7/8	2 9/32	29/32	3 1/16	2.9528	1.1811	3/4	93860	60500	UC313-40	F313	7.8
UCF313-41	2 9/16	8 3/16	6 17/32	7/8	2 9/32	29/32	3 1/16	2.9528	1.1811	3/4	93860	60500	UC313-41	F313	7.8
UCF314-42	2 5/8	8 29/32	7 1/64	1	2 13/32	63/64	3 3/16	3.2992	1.2992	7/8	104260	68000	UC314-42	F313	9.8
UCF314-43	2 11/16	8 29/32	7 1/64	1	2 13/32	63/64	3 3/16	3.2992	1.2992	7/8	104260	68000	UC314-43	F313	9.8
UCF314-44	2 3/4	8 29/32	7 1/64	1	2 13/32	63/64	3 3/16	3.2992	1.2992	7/8	104260	68000	UC314-44	F314	9.8
UCF315-48	3	9 9/32	7 1/4	1	2 19/32	63/64	3 1/2	3.2283	1.2598	7/8	113360	76800	UC315-48	F315	11.6
UCF315-45	2 13/16	9 9/32	7 1/4	1	2 19/32	63/64	3 1/2	3.2283	1.2598	7/8	113360	76800	UC315-45	F315	11.6
UCF315-46	2 7/8	9 9/32	7 1/4	1	2 19/32	63/64	3 1/2	3.2283	1.2598	7/8	113360	76800	UC315-46	F315	11.6
UCF315-47	2 15/16	9 9/32	7 1/4	1	2 19/32	63/64	3 1/2	3.2283	1.2598	7/8	113360	76800	UC315-47	F315	11.6
UCF316-49	3 1/16	9 27/32	7 23/32	1 1/16	2 11/16	1 7/32	3 17/32	3.3858	1.3386	1	122850	86500	UC316-49	F316	13.2
UCF316-50	3 1/8	9 27/32	7 23/32	1 1/16	2 11/16	1 7/32	3 17/32	3.3858	1.3386	1	122850	86500	UC316-50	F316	13.2
UCF316-51	3 3/16	9 27/32	7 23/32	1 1/16	2 11/16	1 7/32	3 17/32	3.3858	1.3386	1	122850	86500	UC316-51	F316	13.2
UCF317-52	3 1/4	10 1/4	8 1/32	1 1/16	2 29/32	1 7/32	3 15/16	3.7795	1.5748	1	132600	96500	UC317-52	F317	15.2
UCF317-53	3 5/16	10 1/4	8 1/32	1 1/16	2 29/32	1 7/32	3 15/16	3.7795	1.5748	1	132600	96500	UC317-53	F317	15.2
UCF317-55	3 7/16	10 1/4	8 1/32	1 1/16	2 29/32	1 7/32	3 15/16	3.7795	1.5748	1	132600	96500	UC317-55	F317	15.2
UCF318-55	3 7/16	11 1/32	8 1/2	1 3/16	3	1 3/8	3 15/16	3.7795	1.5748	1 1/8	143000	108000	UC318-55	F318	18.8
UCF318-56	3 1/2	11 1/32	8 1/2	1 3/16	3	1 3/8	3 15/16	3.7795	1.5748	1 1/8	143000	108000	UC318-56	F318	18.8
UCF319-58	3 5/8	11 1/32	8 31/32	1 3/16	3 11/16	1 3/8	4 3/4	4.0551	1.6142	1 1/8	156000	122000	UC319-58	F319	22.0
UCF319-59	3 11/16	11 1/32	8 31/32	1 3/16	3 11/16	1 3/8	4 3/4	4.0551	1.6142	1 1/8	156000	122000	UC319-59	F319	22.0
UCF319-60	3 3/4	11 1/32	8 31/32	1 3/16	3 11/16	1 3/8	4 3/4	4.0551	1.6142	1 1/8	156000	122000	UC319-60	F319	22.0
UCF320-61	3 13/16	12 7/32	3 17/32	1 1/4	3 11/16	1 1/2	4 29/32	4.2519	1.6535	1 1/8	171600	140000	UC320-61	F320	25.3
UCF320-62	3 7/8	12 7/32	3 17/32	1 1/4	3 11/16	1 1/2	4 29/32	4.2519	1.6535	1 1/8	171600	140000	UC320-62	F320	25.3
UCF320-63	3 15/16	12 7/32	3 17/32	1 1/4	3 11/16	1 1/2	4 29/32	4.2519	1.6535	1 1/8	171600	140000	UC320-63	F320	25.3
UCF320-64	4	12 7/32	3 17/32	1 1/4	3 11/16	1 1/2	4 29/32	4.2519	1.6535	1 1/8	171600	140000	UC320-64	F320	25.3