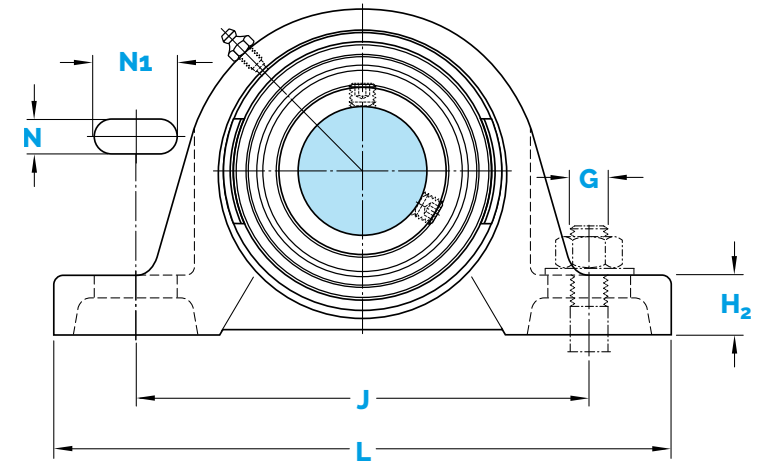
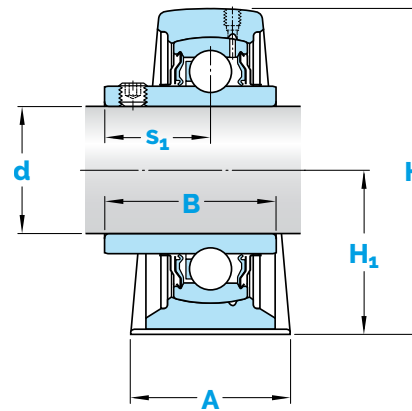


CAST IRON PLUMMER BLOCK HOUSING UNITS FOR INCH METRIC SHAFTS (UCP2..)



Type	d (inch)	H ₁ (inch)	L (inch)	J (inch)	A (inch)	N (inch)	N ₁ (inch)	H ₂ (inch)	H (inch)	B (inch)	S ₁ (inch)	G	Dynamic C	Static Co	Bearing	Housing	m (kg)
UCP201-8	3/4	1 3/16	5	3 3/4	1 1/2	1/2	5/8	35/64	2 7/16	1.2205	0.5000	3/8	UC201-8	P203	12800	6650	0.63
UCP202-9	1/9	1 3/16	5	3 3/4	1 1/2	1/2	5/8	35/64	2 7/16	1.2205	0.5000	3/8	UC202-9	P203	12800	6650	0.63
UCP202-10	5/8	1 3/16	5	3 3/4	1 1/2	1/2	5/8	35/64	2 7/16	1.2205	0.5000	3/8	UC202-10	P203	12800	6650	0.63
UCP203-11	1/11	1 3/16	5	3 3/4	1 1/2	1/2	5/8	35/64	2 7/16	1.2205	0.5000	3/8	UC203-11	P203	12800	6650	0.63
UCP204-12	3/4	1 5/16	5	3 3/4	1 1/2	1/2	5/8	35/64	2 9/16	1.2205	0.5000	3/8	UC204-12	P204	12800	6650	0.63
UCP205-13	13/16	1 7/16	5 1/2	4 1/8	1 1/2	1/2	5/8	35/64	2 9/16	1.2205	0.5000	3/8	UC205-13	P205	14000	7880	0.63
UCP205-14	7/8	1 7/16	5 1/2	4 1/8	1 1/2	1/2	5/8	35/64	2 9/16	1.2205	0.5000	3/8	UC205-14	P205	14000	7880	0.79
UCP205-15	15/16	1 7/16	5 1/2	4 1/8	1 1/2	1/2	5/8	35/64	2 9/16	1.2205	0.5000	3/8	UC205-15	P205	14000	7880	0.79
UCP205-16	1	1 7/16	5 1/2	4 1/8	1 1/2	1/2	5/8	35/64	2 9/16	1.2205	0.5000	3/8	UC205-16	P205	14000	7880	0.79
UCP206-17	1 1/16	1 11/16	6 1/2	4 49/64	1 7/8	21/32	35/32	21/32	3 17/64	1.5000	0.6260	1/2	UC206-17	P206	19500	11200	0.79
UCP206-18	1 1/8	1 11/16	6 1/2	4 49/64	1 7/8	21/32	35/32	21/32	3 17/64	1.5000	0.6260	1/2	UC206-18	P206	19500	11200	0.79
UCP206-19	1 1/5	1 11/16	6 1/2	4 49/64	1 7/8	21/32	35/32	21/32	3 17/64	1.5000	0.6260	1/2	UC206-19	P206	19500	11200	0.79
UCP206-20	1 1/4	1 11/16	6 1/2	4 49/64	1 7/8	21/32	35/32	21/32	3 17/64	1.5000	0.6260	1/2	UC206-20	P206	19500	11200	0.79
UCP207-20	1 1/4	1 7/8	6 37/64	5	1 7/8	21/32	25/32	45/64	3 21/32	1.6869	0.6890	1/2	UC207-20	P207	25700	15200	0.79
UCP207-21	1 5/16	1 7/8	6 37/64	5	1 7/8	21/32	25/32	45/64	3 21/32	1.6869	0.6890	1/2	UC207-21	P207	25700	15200	0.79
UCP207-22	1 3/8	1 7/8	6 37/64	5	1 7/8	21/32	25/32	45/64	3 21/32	1.6869	0.6890	1/2	UC207-22	P207	25700	15200	1.60
UCP207-23	1 7/16	1 7/8	6 37/64	5	1 7/8	21/32	25/32	45/64	3 21/32	1.6869	0.6890	1/2	UC207-23	P207	25700	15200	1.60
UCP208-24	1 1/2	1 15/16	7 1/4	5 25/64	2 1/8	21/32	25/32	45/64	3 27/32	1.9370	0.7480	1/2	UC208-24	P208	29600	18200	1.60
UCP208-25	1 9/16	1 15/16	7 1/4	5 25/64	2 1/8	21/32	25/32	45/64	3 27/32	1.9370	0.7480	1/2	UC208-25	P208	29600	18200	1.60
UCP209-26	1 5/8	2 1/8	7 15/32	5 3/4	2 1/8	21/32	25/32	25/32	4 3/16	1.9370	0.7480	1/2	UC209-26	P209	31850	20800	2.00
UCP209-27	1 11/16	2 1/8	7 15/32	5 3/4	2 1/8	21/32	25/32	25/32	4 3/16	1.9370	0.7480	1/2	UC209-27	P209	31850	20800	2.00
UCP209-28	1 3/4	2 1/8	7 15/32	5 3/4	2 1/8	21/32	25/32	25/32	4 3/16	1.9370	0.7480	1/2	UC209-28	P209	31850	20800	2.20

CAST IRON PLUMMER BLOCK HOUSING UNITS

FOR INCH METRIC SHAFTS (UCP2..)

Type	d (inch)	H ₁ (inch)	L (inch)	J (inch)	A (inch)	N (inch)	N ₁ (inch)	H ₂ (inch)	H (inch)	B (inch)	S ₁ (inch)	G	Dynamic C	Static Co	Bearing	Housing	m (kg)
UCP210-29	1 13/16	2 1/4	8 1/8	6 1/4	2 3/8	25/32	29/32	53/64	4 1/2	2.0315	0.7480	5/8	UC210-29	P210	35100	23200	2.20
UCP210-30	1 7/8	2 1/4	8 1/8	6 1/4	2 3/8	25/32	29/32	53/64	4 1/2	2.0315	0.7480	5/8	UC210-30	P210	35100	23200	2.20
UCP210-31	1 15/16	2 1/4	8 1/8	6 1/4	2 3/8	25/32	29/32	53/64	4 1/2	2.0315	0.7480	5/8	UC210-31	P210	35100	23200	2.80
UCP210-32	2	2 1/4	8 1/8	6 1/4	2 3/8	25/32	29/32	53/64	4 1/2	2.0315	0.7480	5/8	UC210-32	P210	35100	23200	2.80
UCP211-32	2	2 1/2	8 5/8	6 47/64	2 3/8	25/32	29/32	29/32	4 31/32	2.1890	0.8740	5/8	UC211-32	P211	43550	29200	2.80
UCP211-33	2 1/16	2 1/2	8 5/8	6 47/64	2 3/8	25/32	29/32	29/32	4 31/32	2.1890	0.8740	5/8	UC211-33	P211	43550	29200	2.80
UCP211-34	2 1/8	2 1/2	8 5/8	6 47/64	2 3/8	25/32	29/32	29/32	4 31/32	2.1890	0.8740	5/8	UC211-34	P211	43550	29200	3.40
UCP211-35	2 3/16	2 1/2	8 5/8	6 47/64	2 3/8	25/32	29/32	29/32	4 31/32	2.1890	0.8740	5/8	UC211-35	P211	43550	29200	3.40
UCP212-36	2 1/4	2 3/4	9 1/2	7 1/4	2 3/4	25/32	29/32	1	5 7/16	2.5630	1.0000	5/8	UC212-36	P212	47800	32800	3.40
UCP212-37	2 5/16	2 3/4	9 1/2	7 1/4	2 3/4	25/32	29/32	1	5 7/16	2.5630	1.0000	5/8	UC212-37	P212	47800	32800	3.40
UCP212-38	2 3/8	2 3/4	9 1/2	7 1/4	2 3/4	25/32	29/32	1	5 7/16	2.5630	1.0000	5/8	UC212-38	P212	47800	32800	4.80
UCP212-39	2 7/16	2 3/4	9 1/2	7 1/4	2 3/4	25/32	29/32	1	5 7/16	2.5630	1.0000	5/8	UC212-39	P212	47800	32800	4.80
UCP213-40	2 1/2	3	10 7/16	8	2 3/4	1	1 3/32	1 1/16	5 15/16	2.5630	1.0000	3/4	UC213-40	P213	57200	40000	4.80
UCP213-41	2 9/16	3	10 7/16	8	2 3/4	1	1 3/32	1 1/16	5 15/16	2.5630	1.0000	3/4	UC213-41	P213	57200	40000	4.80
UCP214-42	2 5/8	3 1/8	10 15/32	8 9/32	2 27/32	1	1 3/32	1 1/16	6 3/16	2.9370	1.1890	3/4	UC214-42	P214	60800	45000	5.70
UCP214-43	2 11/16	3 1/8	10 15/32	8 9/32	2 27/32	1	1 3/32	1 1/16	6 3/16	2.9370	1.1890	3/4	UC214-43	P214	60800	45000	5.70
UCP214-44	2 3/4	3 1/8	10 15/32	8 9/32	2 27/32	1	1 3/32	1 1/16	6 3/16	2.9370	1.1890	3/4	UC214-44	P214	60800	45000	5.70
UCP215-45	2 13/16	3 1/4	10 13/16	8 17/32	2 29/32	1	1 3/32	1 3/32	6 13/32	3.0630	1.3110	3/4	UC215-45	P215	66000	49500	7.00
UCP215-46	2 7/8	3 1/4	10 13/16	8 17/32	2 29/32	1	1 3/32	1 3/32	6 13/32	3.0630	1.3110	3/4	UC215-46	P215	66000	49500	7.00
UCP215-47	2 15/16	3 1/4	10 13/16	8 17/32	2 29/32	1	1 3/32	1 3/32	6 13/32	3.0630	1.3110	3/4	UC215-47	P215	66000	49500	7.00
UCP215-48	3	3 1/4	10 13/16	8 17/32	2 29/32	1	1 3/32	1 3/32	6 13/32	3.0630	1.3110	3/4	UC215-48	P215	66000	49500	7.00
UCP216-49	3 1/16	3 1/2	11 1/2	9 1/8	3 1/16	1	1 3/32	1 3/16	6 7/8	3.2520	1.3110	3/4	UC216-49	P216	71500	54200	7.60
UCP216-50	3 1/8	3 1/2	11 1/2	9 1/8	3 1/16	1	1 3/32	1 3/16	6 7/8	3.2520	1.3110	3/4	UC216-50	P216	71500	54200	7.60
UCP216-51	3 3/16	3 1/2	11 1/2	9 1/8	3 1/16	1	1 3/32	1 3/16	6 7/8	3.2520	1.3110	3/4	UC216-51	P216	71500	54200	7.60
UCP217-52	3 1/4	3 3/4	12 7/32	9 33/32	3 9/32	1	1 3/32	1 1/4	7 3/8	3.3740	1.3425	3/4	UC217-52	P217	83200	63800	9.00
UCP217-53	3 5/16	3 3/4	12 7/32	9 33/32	3 9/32	1	1 3/32	1 1/4	7 3/8	3.3740	1.3425	3/4	UC217-53	P217	83200	63800	9.00
UCP217-55	3 7/16	3 3/4	12 7/32	9 33/32	3 9/32	1	1 3/32	1 1/4	7 3/8	3.3740	1.3425	3/4	UC217-55	P217	83200	63800	11.50
UCP218-56	3 1/2	4	12 7/8	10 5/6	3 15/32	1 1/16	1 3/16	1 5/16	7 7/8	3.7795	1.5630	7/8	UC218-56	P218	95900	71500	11.50